

# PORTA VAC

## Portable Restroom Service Trucks

**Capacity:** Two compartment 800, 1250, 1500 and 2000 gallon capacities.

Optional: Three compartment.

Set-up for dual service.

**Heads:** Available in 54", 60" and 66" diameters.

**Standard Features & Specifications:**

1/4" 5454 polished aluminum shell and heads

Primary moisture trap

20" NVE Manway top of tank

Full length hose trays both sides and rear

3" Top load suction line / 3" - 4" discharge line

4" Opening for fill and 2" for vent

Anti-surge baffle (1,000 Gallon or greater)

(2) Sight glasses

Large water proof cabinet each side

Step & handholds / Side work light

Heavy duty toilet carrier

Betts 'Snap-Seal' L.E.D. vapor proof lights

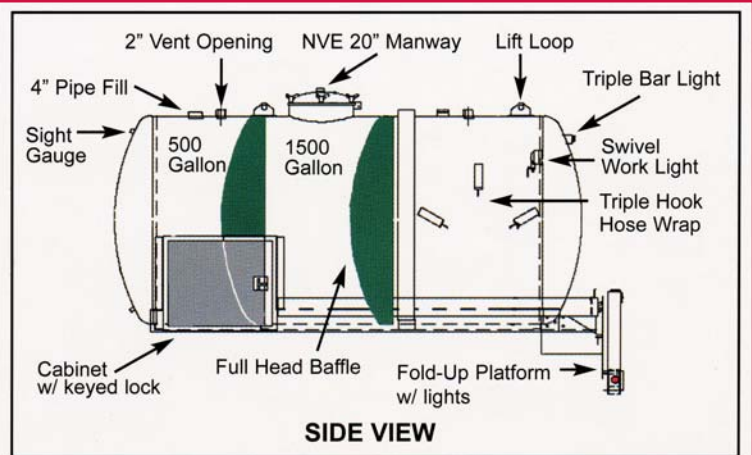
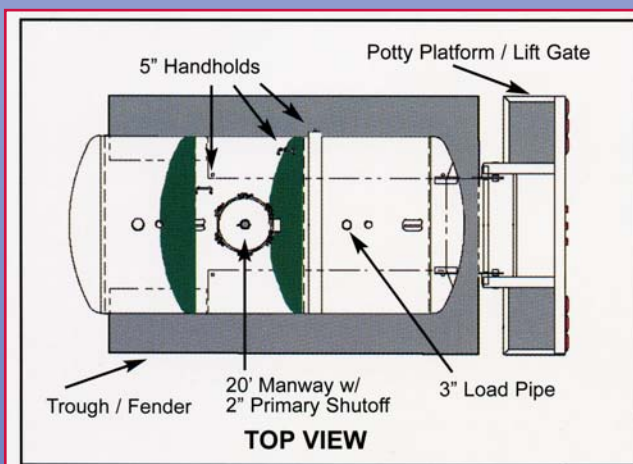
Lifting lugs

Hose hooks / 5 Gallon bucket holder

Full length aluminum sills

Mounting brackets

Five year 'No Leak' tank warranty



**progress tank**

steel, aluminum & stainless steel... since 1922

Exclusively available through authorized Progress Tank distributors [www.progress tank.com](http://www.progress tank.com)

